

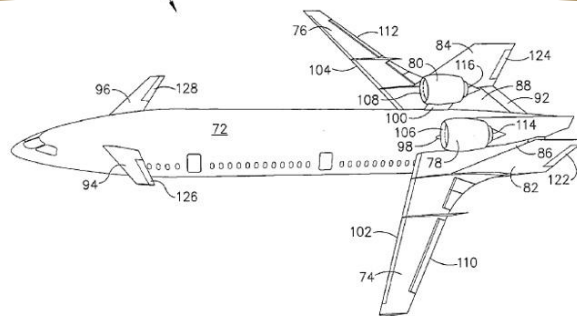
# Intellectual Property Services

Solutions You Can Trust

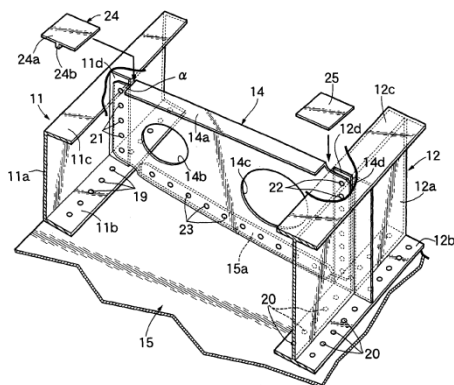


## Expert Services

- Infringement Analysis
- Invalidity Assessment
- Patentability
- Prior Art Research
- Technical Evaluations
- Due Diligence
- Product Testing
- Design Analysis
- Laboratory Testing
- Reverse Design Analysis
- Laser Scanning
- Animations
- Demonstrative Exhibits



## Good Experts are Hard to Find



**Real Aviation Experience.** Our staff is a world-class team of aviation experts that brings practical and easily understood solutions to complex technical issues. Our industry credentials are irrefutable and range from pioneering scientific research, to professional piloting, to performing aircraft maintenance.

Our products testing laboratory can evaluate and document the design features and performance of aerospace products. Our graphics team can create animations and exhibits that easily convey highly technical matters.

**The Right Choice.** DVI Aviation has provided IP services to the aerospace industry for over a decade. We understand the importance of providing independent and unbiased analysis based upon the use of scientific methodologies, physical and factual evidence, and industry best practices.

**Good Experts are Hard to Find.** An aviation expert is like the anchorperson on a television news program; they are seasoned veterans, have a command of the facts and can present the facts in a polished delivery.



DVI Aviation  
132 Clow Parkway  
Bolingbrook, IL 60490  
U.S.A.  
Main: (888) 570-5594  
24 hour: (630) 624-1347  
[www.dviaviation.com](http://www.dviaviation.com)

